

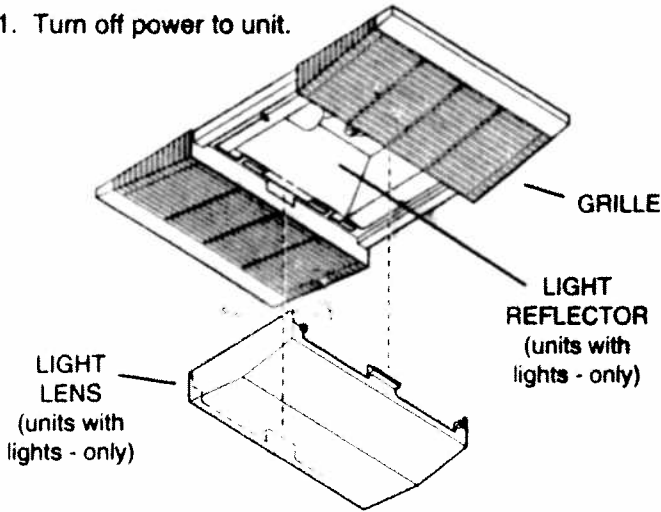
Heater Assembly Replacement Instructions

(For use only with Models 605RP, 660RP, 665RP)

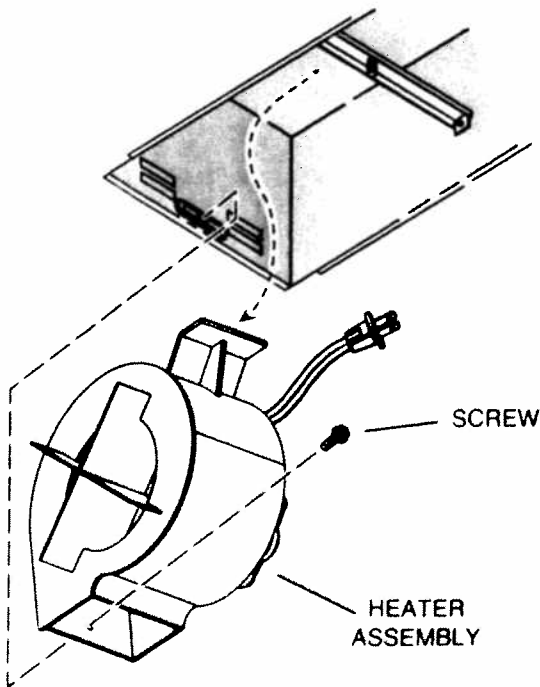
Your existing heater assembly is no longer available. It has been replaced with the parts supplied.
For future reference - please attach this page to your existing instruction manual.

Remove Existing Heater Assembly.

1. Turn off power to unit.



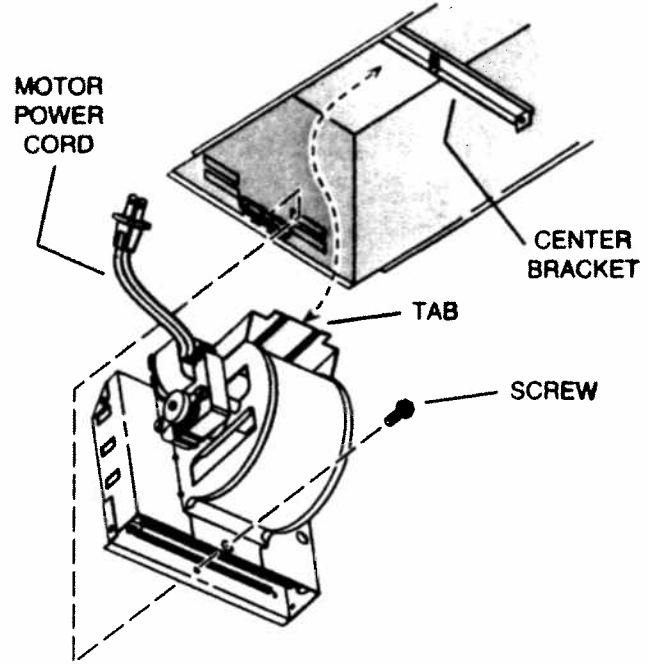
2. Remove light lens and light reflector (units with lights - only).
3. Remove grille from housing.



4. Unplug motor and remove screw holding heater assembly in place. Remove heater assembly from housing.

CAUTION: Hold heater assembly securely when removing screw - to keep assembly from falling.

Install New Heater Assembly.



5. Install new heater assembly into housing. Engage tab into slot in housing and secure with screw provided.
6. Run motor power cord over top of center bracket.
7. Plug in motor.
8. Replace grille, (light reflector and light lens).
9. Turn on power and check operation.

Service Parts

